



Quality, Innovation, Performance!



**ecodepur**<sup>®</sup>  
tecnologias de protecção ambiental

**Factory 1**  
urbanização da chã  
av.º 21 de junho, n.º 103  
2435-087 caxarias  
PORTUGAL

**Factory 2**  
Zona Industrial Casal  
dos Frades Lote 68  
2435-661 Seiça - Ourém  
PORTUGAL

**Tel.:** +351 249 571 500  
**Fax:** +351 249 571 501  
**Skype:** EcodepurEED  
geral@ecodepur.pt  
www.ecodepur.pt

**Base Sump Tank – Ecodepur® ECO BST and ECO BST PLUS**

## INTRODUCTION

ECODEPUR® Eco BST and Eco BST PLUS are Base Sump Tanks, completely tight, used directly in Oil tanks Manholes. Provides a direct access to equipments, such as pumps, and offer a clean and dry area. They serve as a liquid tight isolation chamber, preventing ground water from entering and any leaking product from escaping into the environment.

The raw material used (Linear Polyethylene) was tested by an independent entity, guaranteeing high mechanical resistance and corrosion protection.



1

The equipment production under controlled conditions, the use of quality raw materials and the finished product inspection, in accordance with the demands of **ISO Standard 9001:2008**, guarantee the final product quality.

ECODEPUR® Eco BST and Eco BST PLUS have **5 Year Guarantee** against any manufacturing defects.

## FEATURES

- ≡ Use directly in the Tank man hole;
- ≡ Able to several connections;
- ≡ Height adjustment;
- ≡ Several possible sides connections;
- ≡ High mechanical resistance and corrosion protection;
- ≡ Light and easy to install and maintain;
- ≡ Totally watertight;
- ≡ Provides a total secure solution, avoiding environmental contamination;
- ≡ Easy access to inspection;
- ≡ Without visual impact;
- ≡ Low cost.

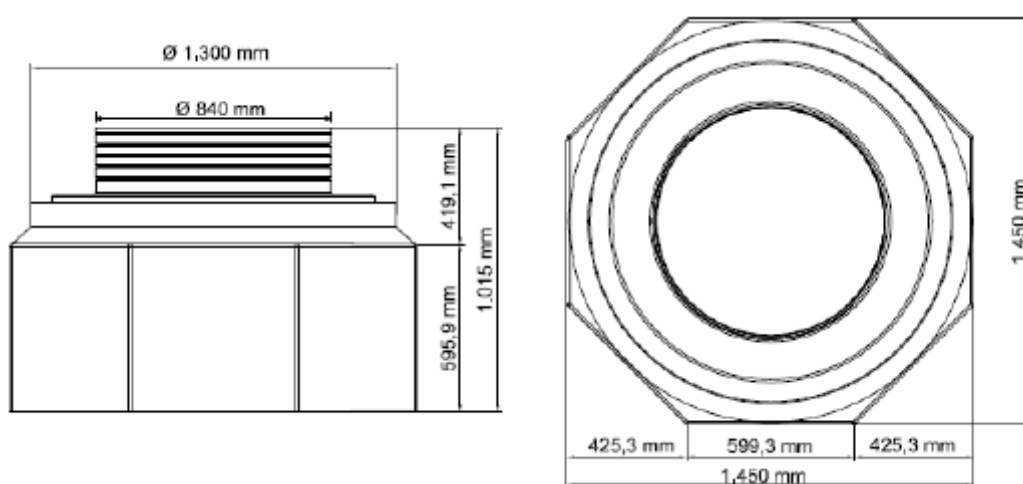
## APPLICATION

ECODEPUR® Eco BST and Eco BST PLUS permit the application in Oil tanks Manholes.

2



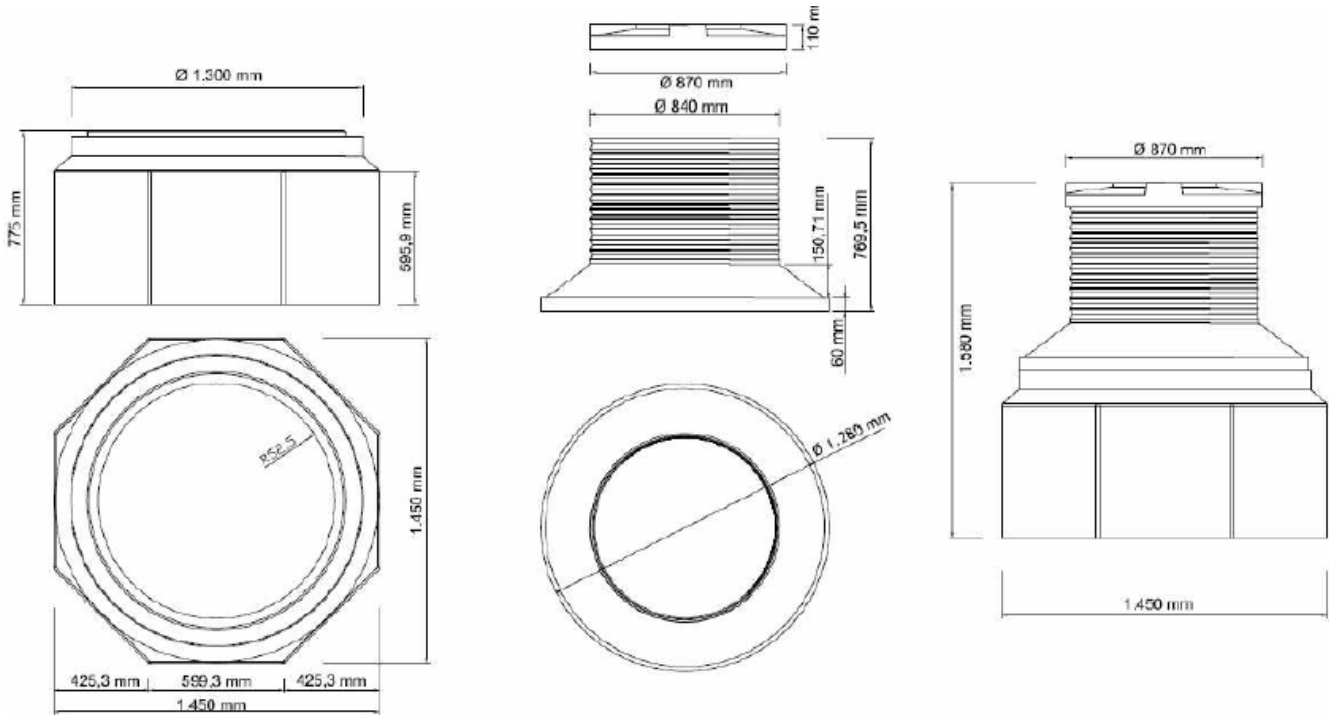
## DIMENSIONS



3

Type	L (mm)	H (mm)	C (mm)
ECO BST	1.450	1.015	840





Type	L (mm)	H (mm)	C (mm)
ECO BST PLUS	1.450	1.555	840



**Entry Seals (optional)**



Type	Dimensions
Bucin 30 PTM	1"
Bucin 45 PTM	1 ½ "
Bucin 60 PTM	2 "
Bucin 75 PTM	2 ½ "
Bucin 90 PTM	3 "
Bucin 110 PTM	4 "

5

**GUARANTEE**

**Five (5) years**, covering any manufacturing defects.

**ECODEPUR<sup>®</sup>, S.A.** will be responsible for introducing corrective measures aimed at correct equipment operation, if necessary.

**ECODEPUR<sup>®</sup>, S.A.** will not be responsible if there are clear indications of poor installation or misuse.