



ecodepur[®]
tecnologias de protecção ambiental



grupohenriques

BASE SUMP TANK

ECODEPUR[®] ECO BST AND ECO BST PLUS

[Quality, Innovation, Performance!]





BASE SUMP TANK

ECODEPUR[®] ECO BST AND ECO BST PLUS

ECODEPUR[®] Eco BST and Eco BST PLUS are Base Sump Tanks, completely tight, coupling directly in Oil tanks Manholes. Provides a direct access to equipments, such as pumps, and offer a clean and dry area. They serve as a liquid tight isolation chamber, preventing ground water from entering and any leaking product from escaping into the environment.

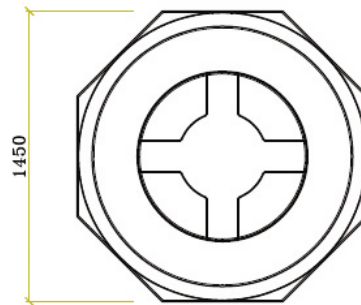
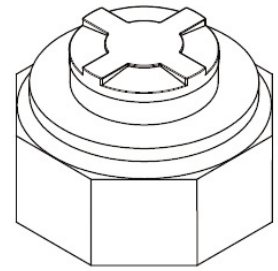
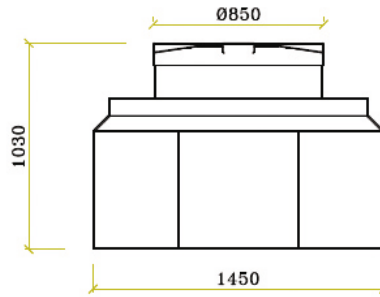
Base Sump Tanks are constructed with polyethylene virgin material, tested by The National Laboratory for Civil Engineering (LNEC) with fuel oil and unleaded fuel (considerate a high aggressive product) and described on Report Ref. BI 101 PMO de 207-06-11.

The equipment production under controlled conditions, the use of quality raw materials and the finished product inspection, in accordance with the demands of ISO Standard 9001:2008, guarantee the final product quality.

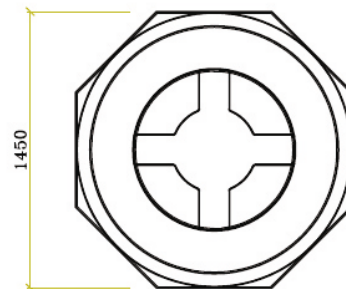
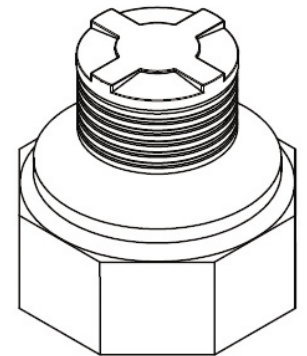
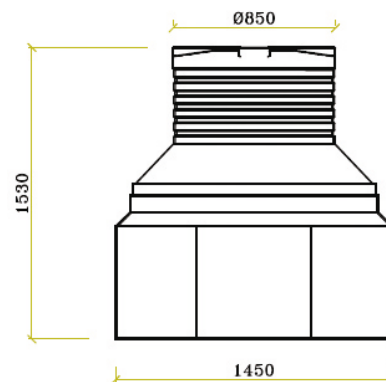
ECODEPUR[®] Eco BST and Eco BST PLUS have **5 Year Guarantee** against any manufacturing defects.

FEATURES

- > Use directly in the Tank man hole;
- > Able to several connections;
- > Height adjustment;
- > Several possible sides connections;
- > High mechanical resistance and corrosion protection;
- > Light and easy to install and maintain;
- > Provides a total secure solution, avoiding environmental contamination;
- > Easy access to inspection;
- > Without visual impact;
- > Low cost;
- > Entry Boots available such us:
 - > Entry boots for 1" tube;
 - > Entry boots for 1 ½" tube;
 - > Entry boots for 2" tube;
 - > Entry boots for 2 ½" tube;
 - > Entry boots for 3" tube;
 - > Entry boots for 4" tube.



Model	Dimensions (LxHxC)
ECO BST	1.450 x 1.030 x 850



Model	Dimensions (LxHxC)
ECO BST PLUS	1.450 x 1.530 x 850

ENTRY BOOTS



Legend

L - Length | H - Height | C - Cover

All measurements are given in millimeters. For information on volumes greater contact our technical service / business.