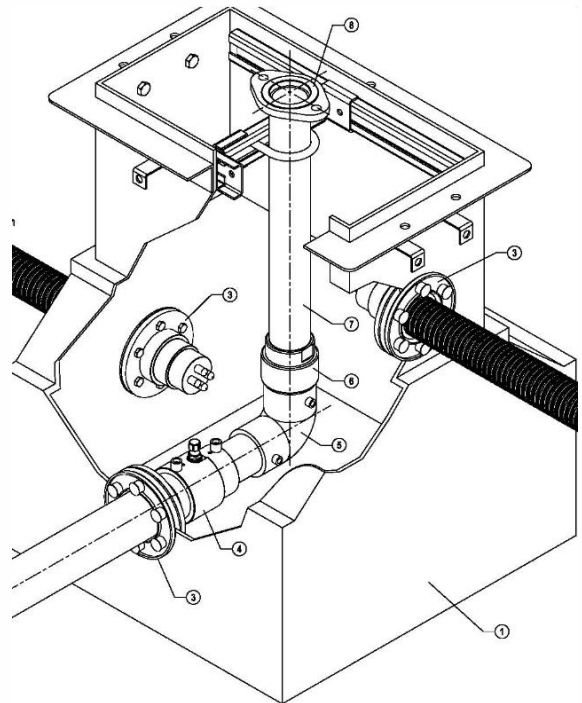





Rev.1_05.09.16

DISPENSER SUMP

ECODEPUR[®] DS



 Z. I. Casal dos Frades, 68
2435-661 Seiça - Ourém

 T. +351 249 571 500
F. +351 249 571 501

 W. www.ecodepur.pt
@. geral@ecodepur.pt



INTRODUCTION

ECODEPUR[®] DS are Dispenser Sump, installed beneath fuel dispensers to provide secondary containment of dispenser plumbing and emergency shear valves.

They serve as a liquid tight isolation chamber, protecting pumps and their connections.

ECODEPUR[®] DS range includes **Five sump sizes** and **Two different metallic structure**, with outside or inside lip (to use and adjust in different dispensers) and **Stabilizer bars**. (The raw material used (Linear Polyethylene) was tested by an

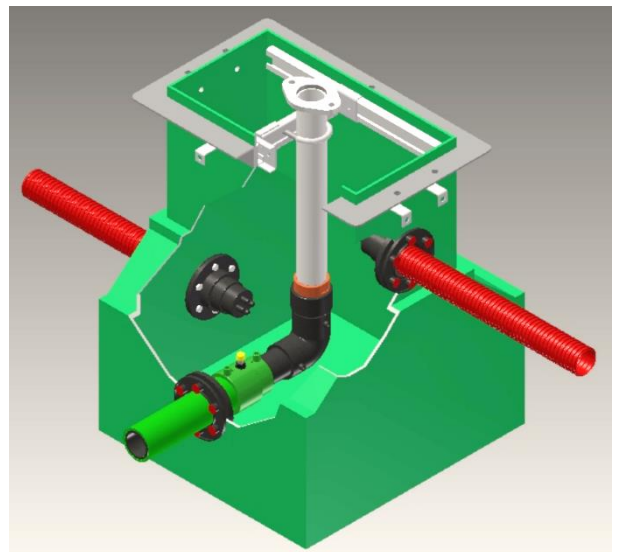
independent entity, guaranteeing high mechanical resistance and corrosion protection.

The equipment production under controlled conditions, the use of quality raw materials and the finished product inspection, in accordance with the demands of ISO Standard 9001:2008, guarantee the final product quality.

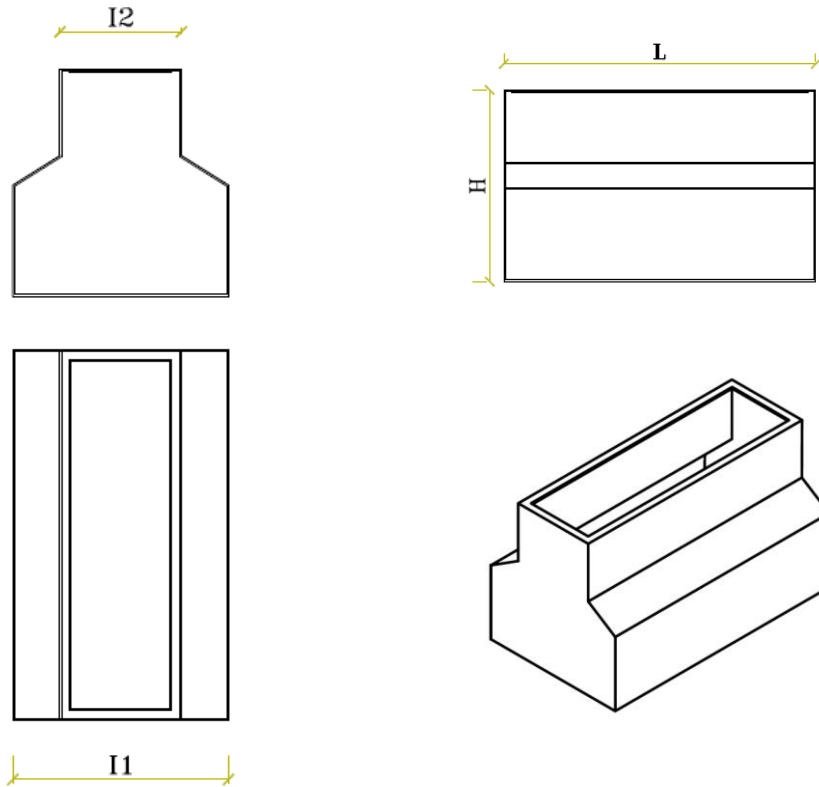
ECODEPUR[®] DS has 5 Year Guarantee against any manufacturing defects.

FEATURES

- Five sump sizes (For 1 up to 4 products dispenser)
- Metallic structure, with outside or inside lip (possible to adjust in different dispensers) (optional);
- Provides a total secure solution, avoiding environmental contamination;
- High mechanical resistance and corrosion protection;
- Light and easy to install and maintain;
- Constructed in Linear Polyethylene;
- Totally watertight;
- Stabilizer bars (optional);
- Entry seals from 1" until 4" (optional);
- Without visual impact;
- Low cost.



DIMENSIONS



REF.	TYPE	L (mm)	I1 (mm)	I2 (mm)	H (mm)	TYPICAL N.º OF PRODUCTS DISPENSER	WEIGHT (kg)
PR.ST.2.017	DS 540	540	725	430	745	1	15
PR.ST.2.600.P	DS 780	780	725	430	745	2	20
PR.ST.2.019.P	DS1100	1100	880	490	920	3	37
PR.ST.2.018.P	DS1500	1500	880	490	920	4 or 3 + 1 (Great Capacity dispense)	46
PR.ST.2.025	DS1800	1850	880	490	920		55

Images and dimensions may be changed without notice.

OPTIONAL ACCESSORIES

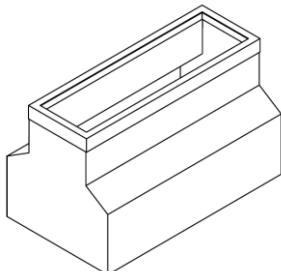
DISPENSER SUMP, ECODEPUR[®] DS

METALLIC STRUCTURE, ECODEPUR[®] MS

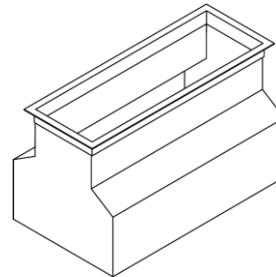


Metallic structure, ECODEPUR[®] MS with two configurations, *outside or inside lip*, create adaptability and versatility in **Dispenser Sump, ECODEPUR[®] DS**. Taking in account the different existent dispensers, the **Metallic structure, ECODEPUR[®] MS** will allow a correct adjustment between the Dispenser and the Dispenser Sump.

REF.	TYPE
PR.MPA.32.300	ECODEPUR [®] MS DS540
PR.MPA.32.301	ECODEPUR [®] MS DS780
PR.MPA.32.302	ECODEPUR [®] MS DS1100
PR.MPA.32.303	ECODEPUR [®] MS DS1500
PR.MPA.32.304	ECODEPUR [®] MS DS1800



Metallic structure, ECODEPUR[®] MS with **Inside lip**



Metallic structure, ECODEPUR[®] MS with **Outside lip**

STABILIZER BARS, ECODEPUR[®] MS



Stabilizer Bars, ECODEPUR[®] SB allows the installation of the crossbar and other accessories.

REF.	TYPE
PR.MPA.32.601	ECODEPUR [®] SB DS540
PR.MPA.32.602	ECODEPUR [®] SB DS780
PR.MPA.32.603	ECODEPUR [®] SB DS1100
PR.MPA.32.604	ECODEPUR [®] SB DS1500
PR.MPA.32.605	ECODEPUR [®] SB DS1800

CROSSBAR FOR FUSE VALVE, ECODEPUR[®] CFV



Crossbar for Fuse Valve, ECODEPUR[®] CFV ensures a reliable support inside Dispenser Sump, ECODEPUR[®] DS for valves installation.

REF.	TYPE
TRVF	ECODEPUR [®] CFV

ENTRY BOOTS, ECODEPUR BUCIN



Entry Boots, ECODEPUR[®] allows a safety and flexible connection between the Pipe and the Dispenser Sump, ECODEPUR[®] DS.

ECODEPUR[®] offer a complete line of sizes, from 1" up to 4"

REF.	TYPE	DIMENSIONS
PR.MPA.32.500	ECODEPUR [®] BUCIN 30 PTM	1"
PR.MPA.32.501	ECODEPUR [®] BUCIN 45 PTM	1 ½"
PR.MPA.32.502	ECODEPUR [®] BUCIN 60 PTM	2"
PR.MPA.32.503	ECODEPUR [®] BUCIN 75 PTM	2 ½"
PR.MPA.32.504	ECODEPUR [®] BUCIN 90 PTM	3"
PR.MPA.32.505	ECODEPUR [®] BUCIN 110 PTM	4"

Images may be changed without notice.