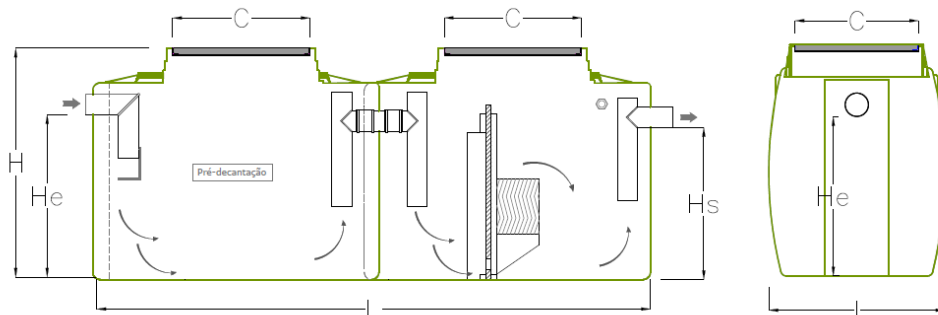


## LAMELLAR SLUDGE TRAP ECODEPUR<sup>®</sup> DEKTECH 15

### TECHNICAL INFORMATION

The **Lamellar Sludge Trap ECODEPUR<sup>®</sup> DEKTECH 15** are mainly used to remove precipitable substances from water polluted with light free floating liquids such as engine oils, gas, before a Light Liquid Separator

<b>EQUIPMENT IDENTIFICATION</b>	Lamellar Sludge Trap
<b>MARCA</b>	ECODEPUR <sup>®</sup>
<b>TYPE</b>	DEKTECH 15
<b>TYPE OF TREATMENT</b>	Primary treatment
<b>MATERIAL</b>	Polyethylene
<b>LAMELLAR FILTER</b>	
<b>Material</b>	Polypropylene
<b>Projection of the Sedimentation area</b>	240 m <sup>2</sup> / m <sup>3</sup>
<b>Distance between lamellas</b>	12 mm
<b>VENTE POINT</b>	Included (1 1/2")
<b>COVER</b>	Included



TYPE	VOLUME (l)	L (mm)	I (mm)	H (mm)	He (mm)	Hs (mm)	C (mm)	Ø PIPE (mm)	WEIGHT (kg)
DEKTECH 15	2.720	3.120	960	1.230	920	805	2 x (750 X 750)	125	200