

## SMALL WWTP ECODEPUR<sup>®</sup> AQUADEPUR<sup>®</sup> 6

## TECHNICAL INFORMATION

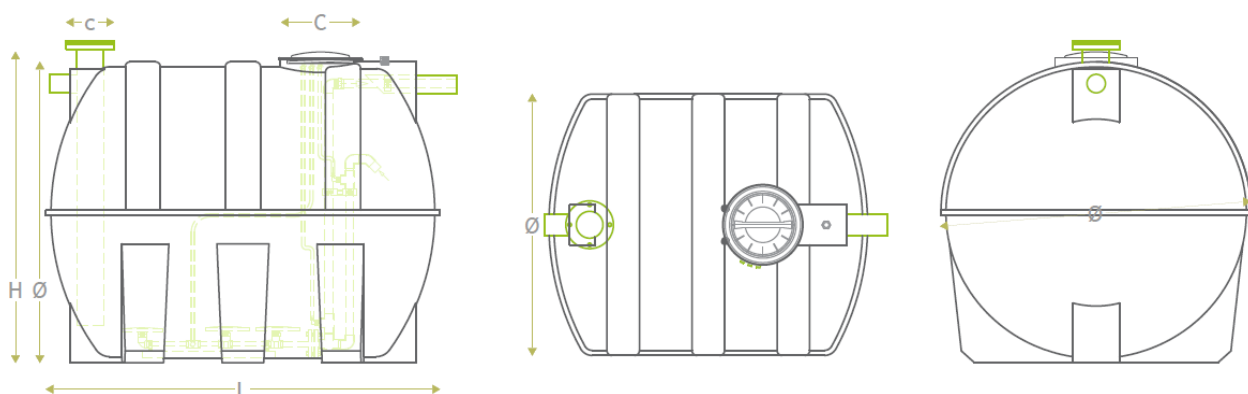
The **ECODEPUR<sup>®</sup> Small WWTP, model AQUADEPUR<sup>®</sup>** are ultra-compact domestic wastewater treatment systems in SBR-type reactors (Sequencing Batch Reactor).



PARAMETER	TREATMENT EFFICIENCY	QUALITY OF TREATED EFFLUENT
CHEMICAL OXYGEN DEMAND (COD)	93,5%	53 mg/l
BIOCHEMICAL OXYGEN DEMAND (BOD5)	97,0%	10 mg/l
TOTAL NITROGEN (TN)	89,0%	10,4 mg/l
AMMONIACAL NITROGEN (NH <sub>4</sub> - N)	82,3%	4,4 mg/l
TOTAL PHOSPHORUS (P <sub>Tot</sub> )	62,6%	2,6 mg/l
TOTAL SUSPENDED SOLIDS (TSS)	96,0%	16 mg/l

<b>STANDARD MANUFACTURING IDENTIFICATION</b>	EN 12566-3
<b>EQUIPMENT IDENTIFICATION</b>	SMALL WWTP
<b>MANUFACTURER</b>	ECODEPUR <sup>®</sup>
<b>MODEL</b>	AQUADEPUR <sup>®</sup> 6
<b>TREATMENT CAPACITY</b>	900 l/day
<b>MATERIAL</b>	Polyethylene (PE)
<b>TYPE OF TREATMENT</b>	Activated Sludge - Sequencing Batch Reactor
<b>AERATION</b>	Membrane blower / EPDM fine bubbles diffusers
<b>INSTALLED POWER</b>	58 W – 230 VAC/ 50HZ
<b>POWER CONSUMPTION</b>	1,07 kW/d
<b>PLUG &amp; PLAY COMMAND AND CONTROL UNIT</b>	Included
<b>MANHOLE COVER</b>	Included (PE)

(1) Initial tests carried out by the notified Organism PIA GmbH  
(2) For temperatures higher or equal to 12°C



MODEL	VOLUME (l)	L (mm)	Ø (mm)	H (mm)	c (mm)	C (mm)	Ø AIR INLET PIPE	Ø INLET AND OUTLET PIPES (mm)
<b>AQUADEPUR<sup>®</sup> 6</b>	<b>3.000</b>	<b>1.900</b>	<b>1.500</b>	<b>1.550</b>	<b>285</b>	<b>400</b>	<b>¾"</b>	<b>110</b>