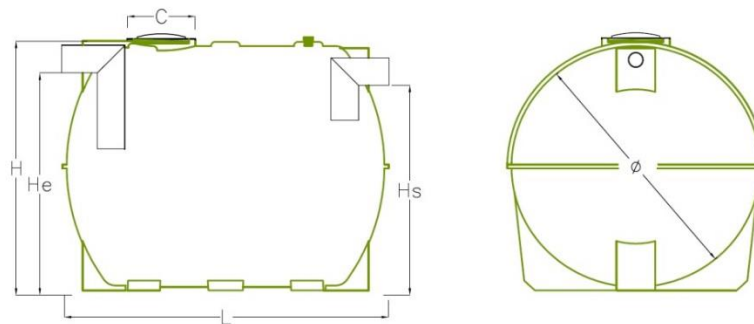


## SLUDGE TRAP ECODEPUR<sup>®</sup> DS-1.500

## TECHNICAL INFORMATION

The **Sludge Traps ECODEPUR<sup>®</sup> DS** are mainly used to remove precipitable substances from waste water.

- Mark: **ECODEPUR<sup>®</sup>**
- Type: DS-1.500;
- Manufactured in additive polyethylene anti-UV, by rotomoulding system, which confer elevated mechanical resistance and corrosion protection;
- Fully watertight;
- Adequate ventilation prevents unpleasant odors.



TYPE	TOTAL VOLUME (l)	L (mm)	Ø (mm)	H (mm)	He (mm)	Hs (mm)	C (mm)	Ø PIPE (mm)	WEIGHT (kg)
DS-1.500	1.500	1.350	1.210	1.310	1.065	1.025	400	125	60