

BIOLOGICAL TANK ECODEPUR[®] BIOFIX 6

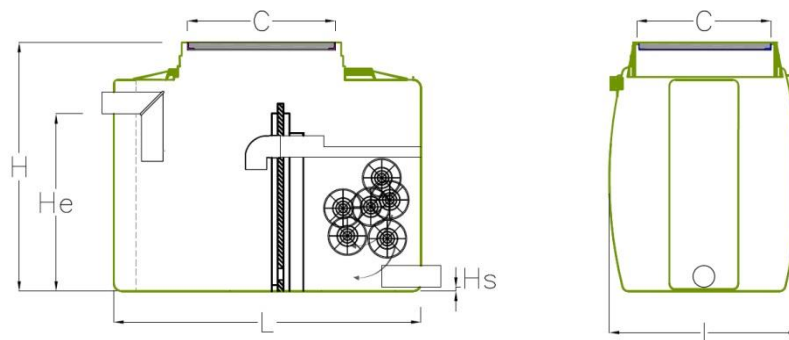
TECHNICAL INFORMATION

Biological Tank, **ECODEPUR[®] BIOFIX6** is a watertight compact system that allows domestic wastewater treatment, and incorporates a primary settling tank, anaerobic digester and an aerobic trickling filter.



STANDARD MANUFACTURING IDENTIFICATION	EN 12566-1
EQUIPMENT IDENTIFICATION	Biological Tank
BRAND	ECODEPUR [®]
TYPE	BIOFIX 6
SHAPE	Horizontal
MATERIAL	Polyethylene
NOMINAL CAPACITY	1.1 m ³ l
CRUSHING RESISTANCE	21,6 MPa ¹
HYDRAULIC EFFICIENCY	0,86 gr of beads ¹

¹ - Initial Tests done by Notified Organism n.º 1842.



TYPE	HAB.	VOLUME TOTAL (L)	L (mm)	l (mm)	H (mm)	He (mm)	Hs (mm)	Ø PIPE (mm)	C (mm)	WEIGHT (Kg)
BIOFIX 6	6	1.360	1.560	960	1.230	930	30	110	750 x 750	95