

## GREASE SEPARATOR ECODEPUR<sup>®</sup> SG-ECO PE 100

## TECHNICAL INFORMATION

**Grease Separator ECODEPUR<sup>®</sup> SG-ECO PE 100** are manufacture in Linear Polyethylene and their goal is the reception and treatment of fat wastewaters from the handling of food products in a domestic or industrial environment.

### APPLICATIONS

Its recommended Grease Separators use in the following locations:

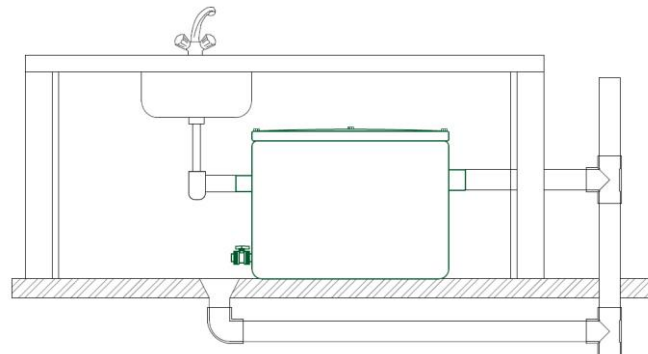
- Restaurants;
- Lunchrooms and Canteens;
- Schools;
- Bars and coffeshops;
- Hotels;
- Among others.



### OPERATION

The functioning of ECODEPUR<sup>®</sup> grease separator SG-ECO does not require energy consumption, their work is based on gravitational separation of materials which have a different density of water.

The sedimentation of the heavier phases (sludge, sand, etc) occurs inside the pre-decantation chamber, being retained therein. This compartment yet it retains fats which have easily floating forms. For the separation zone only pass water and substances lighter than water, in particular fats which need to be separated. The fats will accumulate at the surface, while the clean water exits at a level which does not allow the mixing of the phases.



MODEL	NS (l/s)	VOLUME (l)	WIDTH (mm)	LENGHT (mm)	HEIGHT (mm)	COVER	PIPE	INLET (mm)	OUTLET (mm)
<b>SG100</b>	0,5	100	420	580	420	Rectangular	DN50	275	255

Rev.2\_11.01.17 | The pictures and dimensions can be changed without notice.